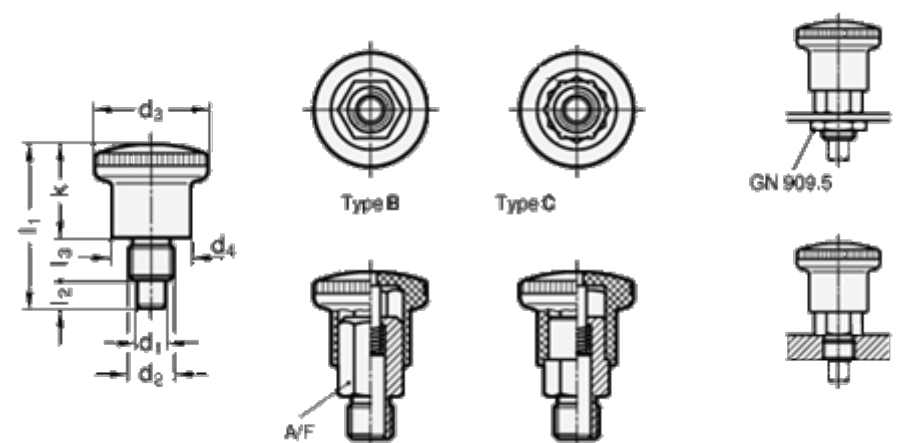


Article number: 2082275M10B

Description: E+G Mini indexing plunger  
without rest position, GN 822.6-5-M10-B

## Measures



$d1 = 5$

$d2 = M10$

$d3 = 25$

$d4 = 18$

$k = 20.0$

$l1 = 34.0$

$l2 = 6$

$l3 = 8$

Spring load initial  $N = 6$